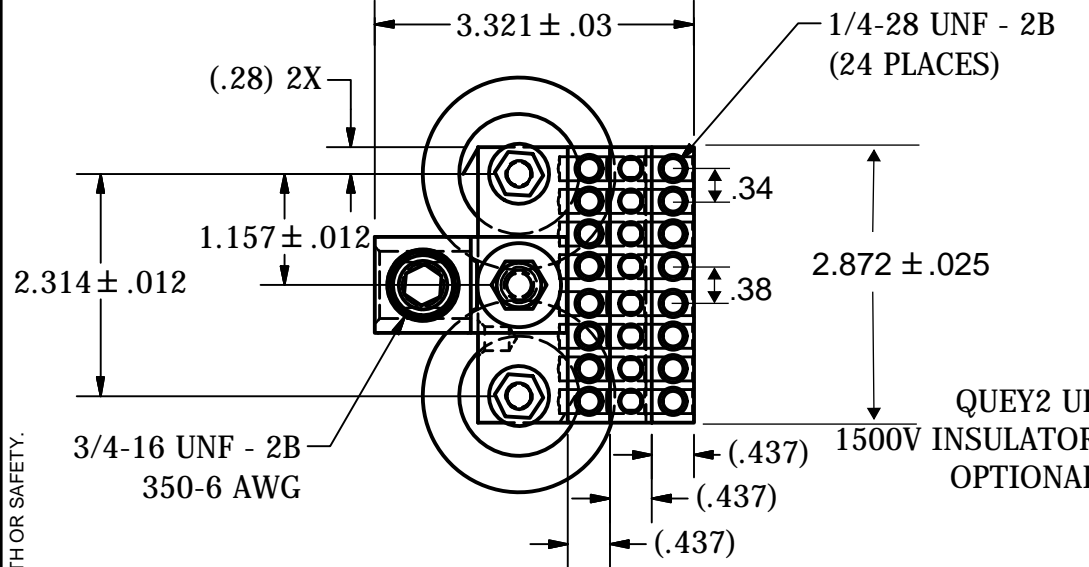
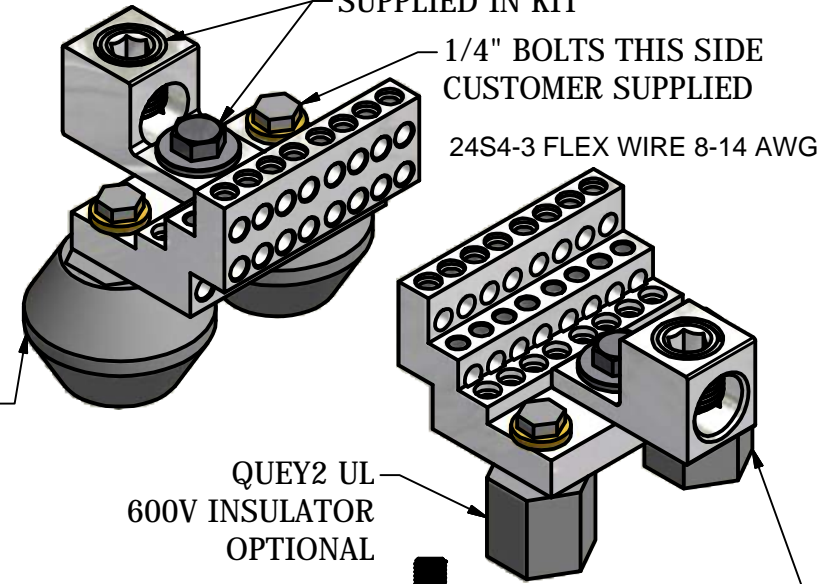


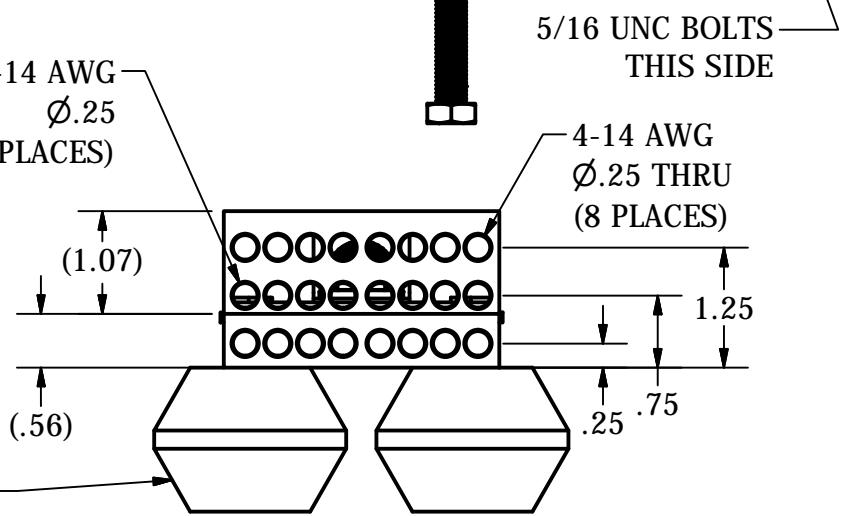
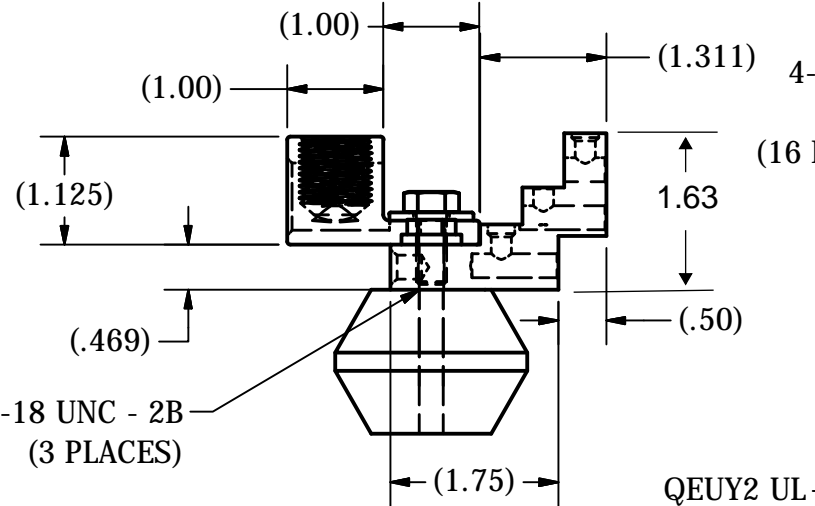
FOR MORE INFO ON APPLICATIONS SEE 23 PAGE PDF



S350 FLEX WIRE 262 KCMIL- 4 AWG SUPPLIED IN KIT  
 1/4" BOLTS THIS SIDE CUSTOMER SUPPLIED  
 24S4-3 FLEX WIRE 8-14 AWG



NOT FOR USE WHERE FAILURE CREATES A HAZARD TO HUMAN HEALTH OR SAFETY. ALL PRODUCTS ARE SUBJECT TO THIS FULL DISCLAIMER: <http://www.ihconnectors.com/disclaimer.html>  
 FOR FURTHER INFORMATION ON THE PROPER USE OF THIS PRODUCT IN SPECIFIC APPLICATIONS SEE <http://www.ihconnectors.com/GuideToFlexFlexibleFineStrandedWire>  
<http://www.ihconnectors.com/Technical-Data-Installation.htm>



B.O.M.		
QUANTITY	PART	DESCRIPTION
1	24S4-3	24 X 4 -14 AWG UL LISTED, CSA
1	S350	350-6 AWG UL LISTED, CSA
1	5/16UNC	HEX CAP BOLT AND WASHER

ZMVV UL CATEGORY  
 ZMVV UL CATEGORY

NOTE: INSULATING STANDOFFS AND MOUNTING FASTENERS SOLD SEPARATELY

THIS DRAWING AND DESIGN ARE THE PROPERTY OF INTERNATIONAL HYDRAULICS, INC., CLEVELAND, OHIO, AND MAY NOT BE DUPLICATED, USED FOR THE BASIS OF DESIGN OR MANUFACTURE WITHOUT THE WRITTEN PERMISSION OF INTERNATIONAL HYDRAULICS, INC., CLEVELAND, OHIO.		INTERNATIONAL HYDRAULICS, INC.		
GENERAL TOLERANCES - .015 (- 0.038)		TITLE: 24S4-3/S350-KIT (SALES)		
MATERIAL: 6061-T6		SIZE: A	DRAWN BY: FJBarcia	DWG NO.: 24S4-3-S350 KIT
FINISH: TIN PLATE EMS		DATE: 9/12/14	REV: 0	
CONNECTOR IHI CONNECTORS				